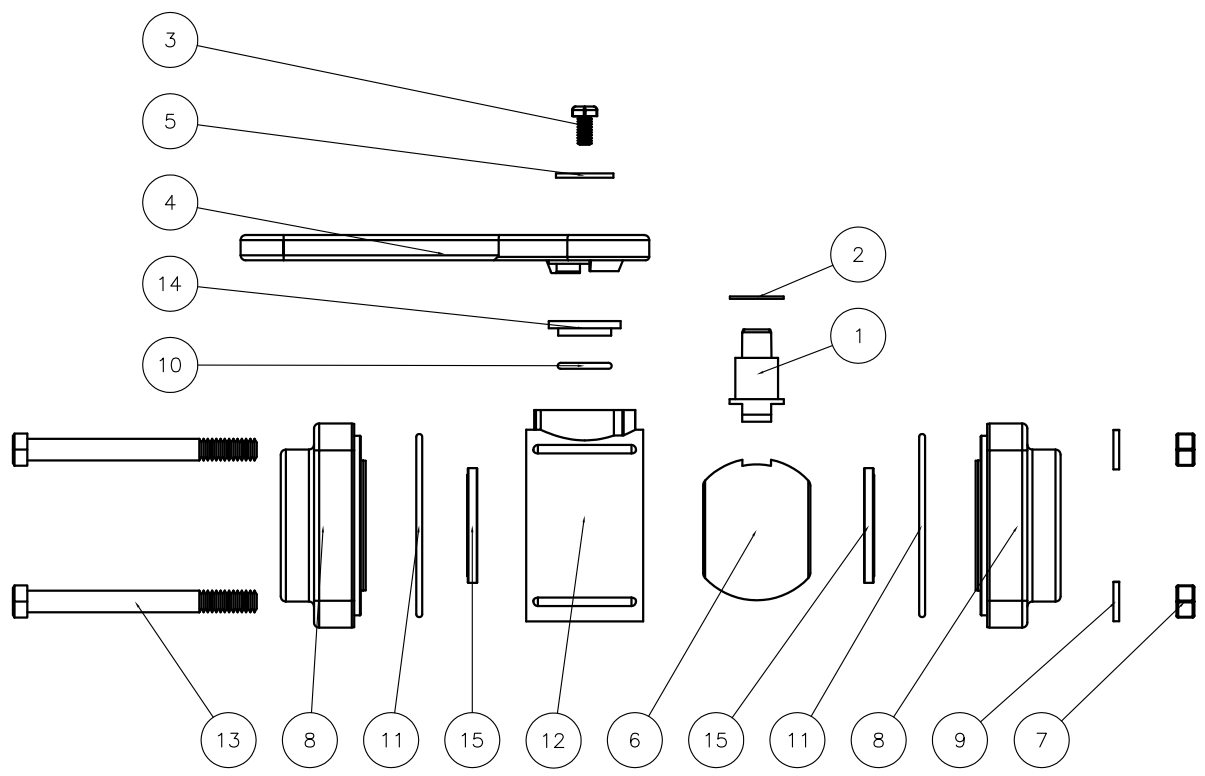
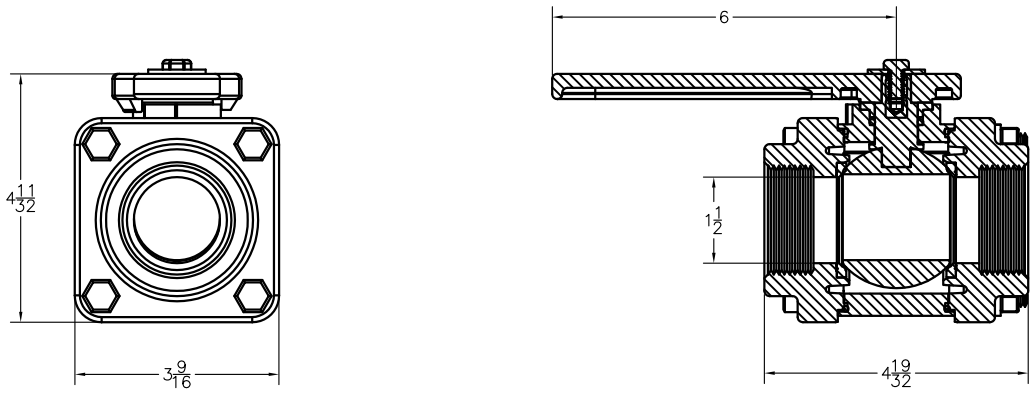


Parts List

ITEM	QTY	PART NO.	DESCRIPTION
1	1	V20151M	STEM
2	1	V20060	THRUST BEARING
3	1	V20020	HANDLE BOLT
4	1	V20153	HANDLE
5	1	V20021	HANDLE WASHER
6	1	V20255A	BALL
7	4	V20019	3/8" HEX NUT
8	2	V20257	1 1/2" END PLATE
9	4	V20018	3/8" LOCKWASHER
10	1	V20163	STEM O'RING
11	2	V20264	BODY O'RING
12	1	V20254	VALVE BODY
13	4	V20017	3/8-16 X 4" HHCS
14	1	V20159	UPPER STEM BUSHING
15	2	V20258A	SEAT
16	1	VL1001	PRESSURE LABEL (N/S)



THIS DRAWING AND ALL INFORMATION CONTAINED THEREON ARE THE EXCLUSIVE PROPERTY OF BANJO CORPORATION. UNLESS SPECIFICALLY NOTED, THIS DRAWING AND ITEMS SHOWN ON THIS DRAWING ARE SUBJECT TO CHANGE AT ANY TIME.

PART NO. V150
TITLE 1 1/2" VALVE ASSEMBLY